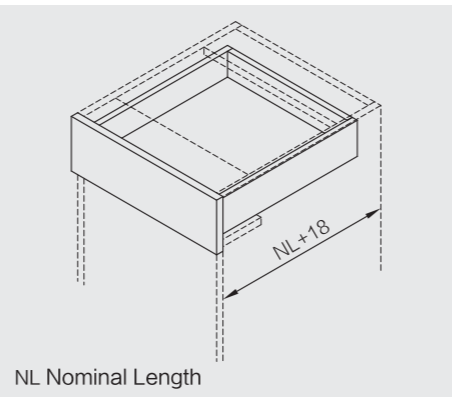


# Soft Closing Full Extension Undermount slide With 3D Locking Brackets



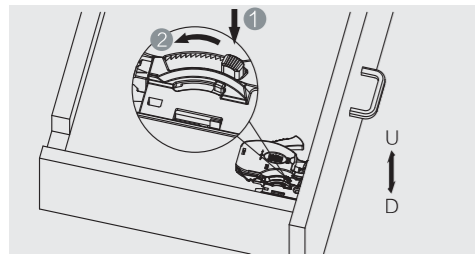
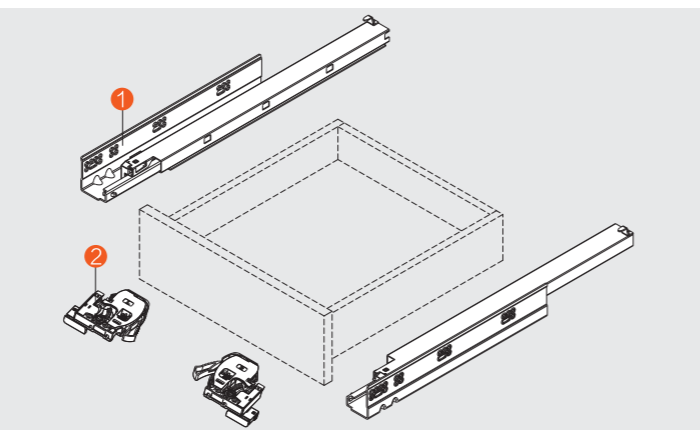
- Perfect light, smooth, silent self & soft close system
- Quick and easy assembling and dismantle the drawer
- Height adjustment 0~+3mm
- \* Side adjustment ± 1.5mm
- Depth (In and Out) adjustment 0~+3mm
- Loading capacity 30KG

## Space requirement

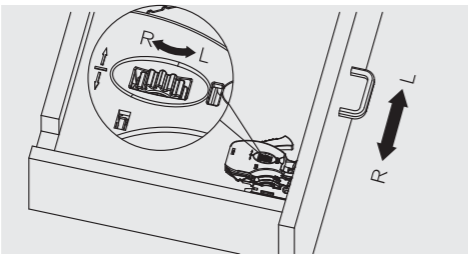


IM code	SAP code	Nominal Length
7272430	220001117	300mm
7272435	220001118	350mm
7272440	220001119	400mm
7272445	220001120	450mm
7272450	220001121	500mm

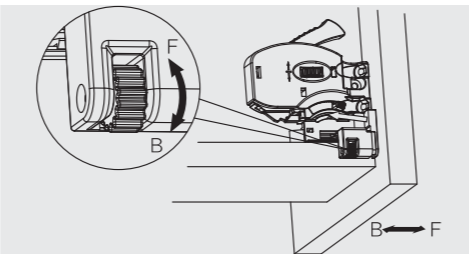
## Basic components



Height adjustment 0~+3mm



\* Side adjustment ± 1.5mm

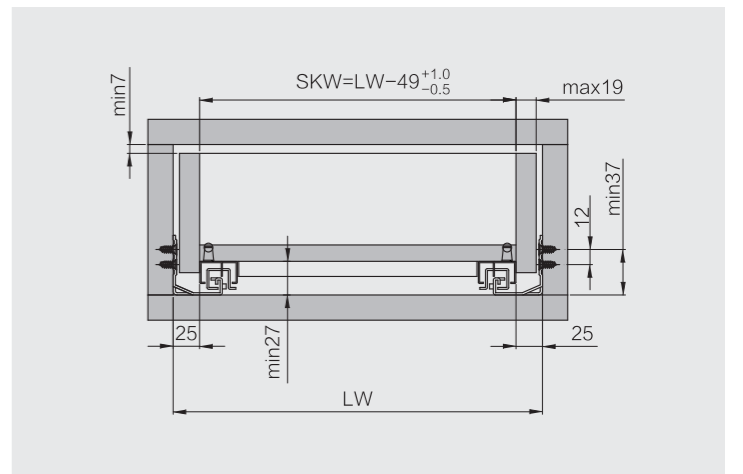


Depth (In and Out) adjustment 0 ~ +3mm

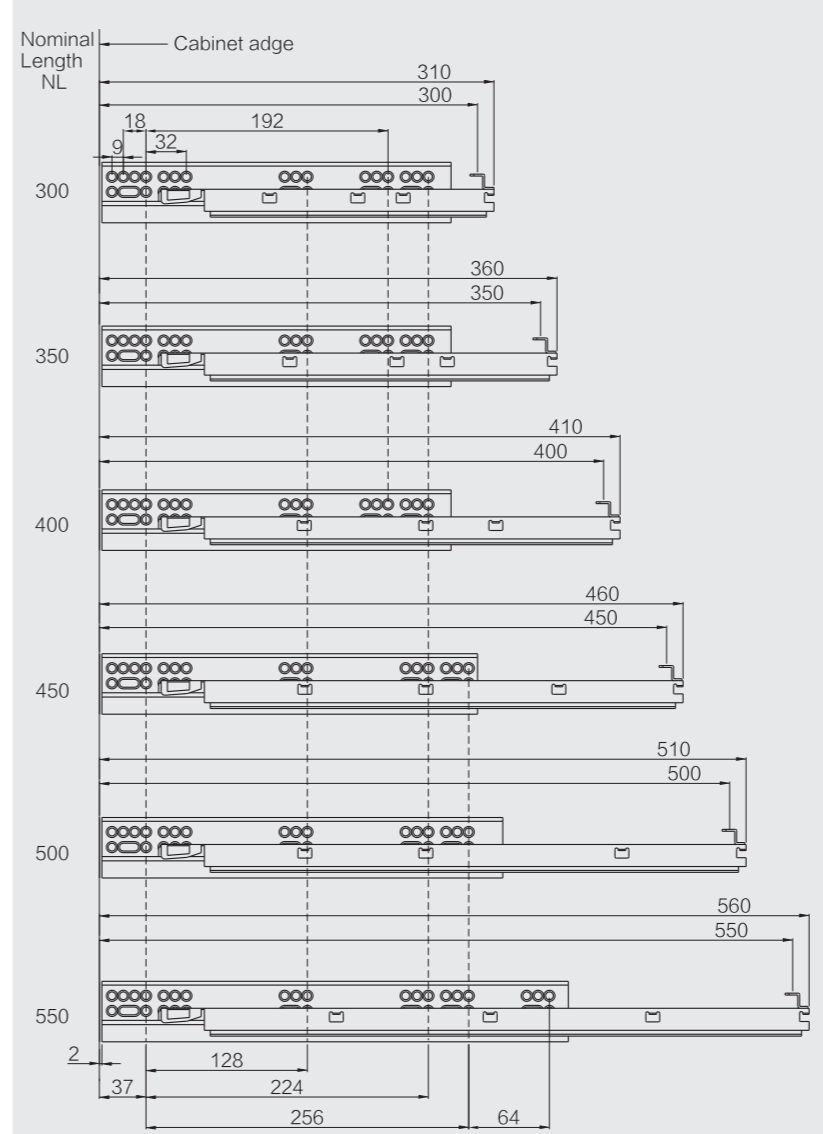
\* Side adjustment ± 1.5mm ,provided that the width of the drawer is within tolerance.

## Installation Dimensions (mm)

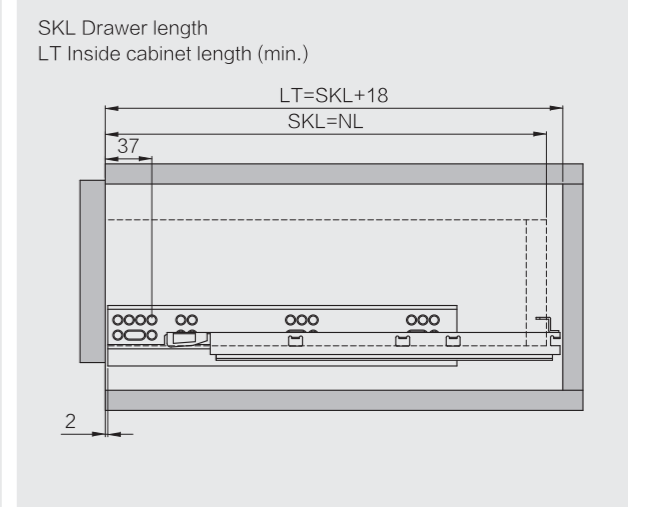
Installation for drawer with max 19mm thick drawer side  
 LW=Internal Cabinet Width SKW=Internal drawer Width



## Installation Dimensions (mm)



## Drawer Dimensions (mm)



## Drawer box specification(mm)

