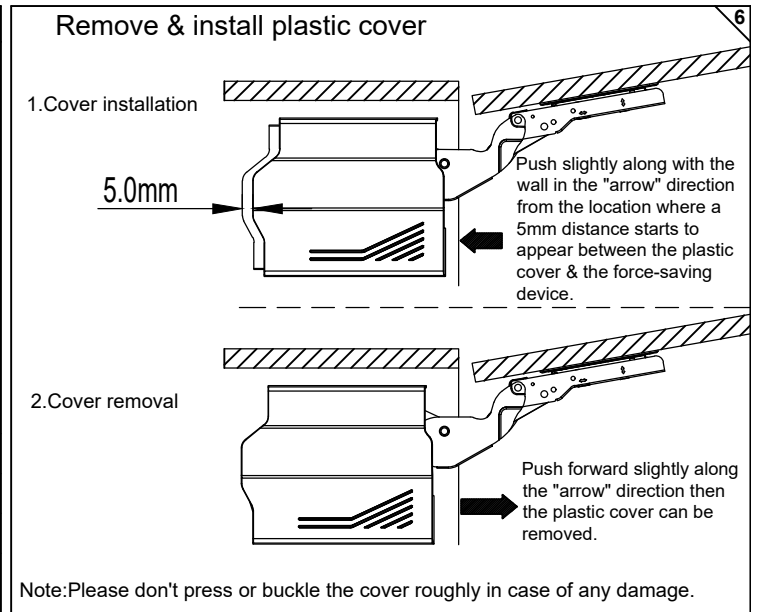
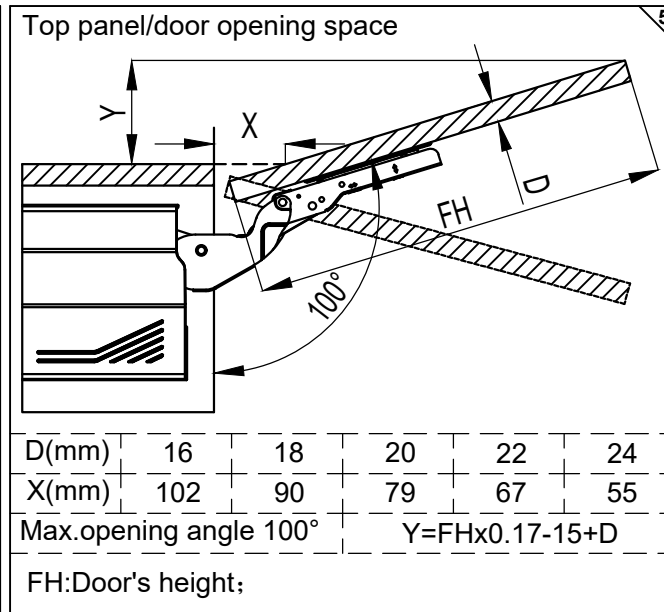
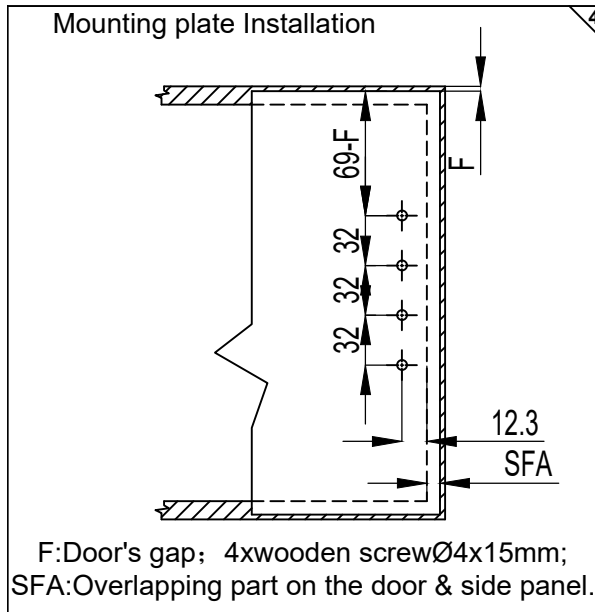
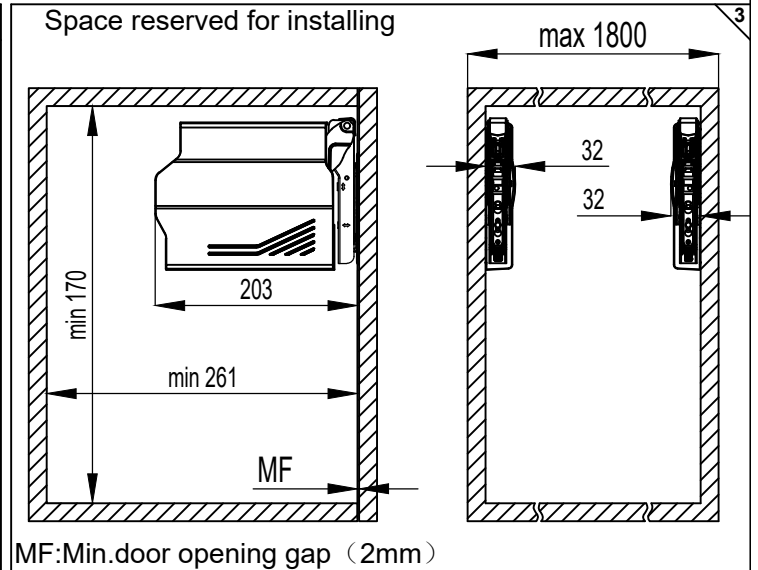
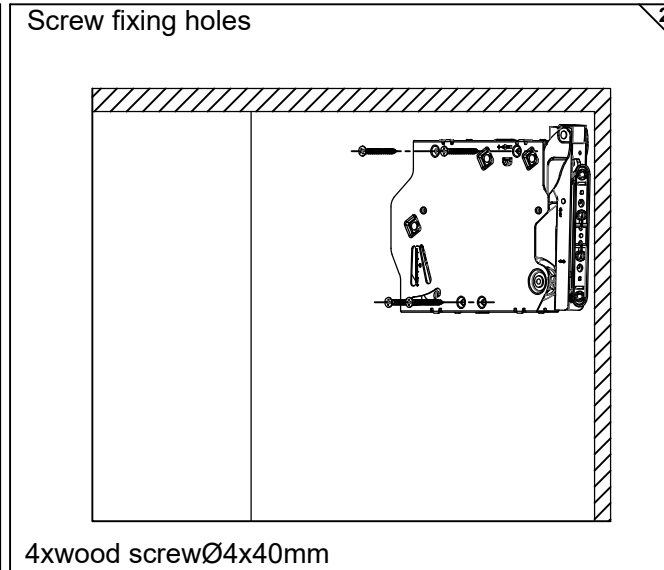
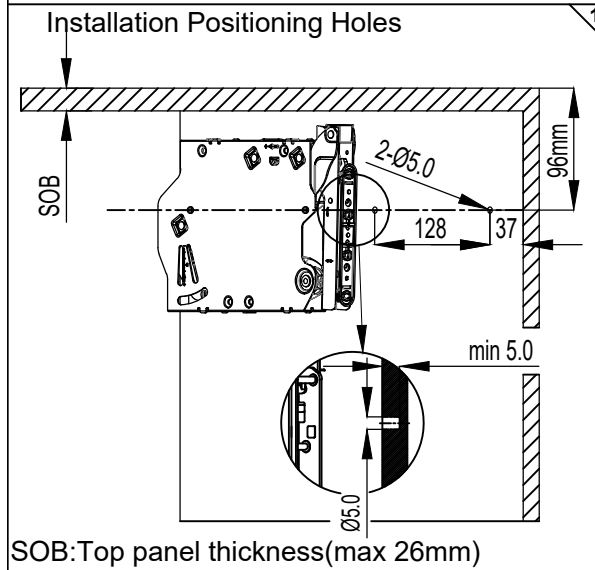


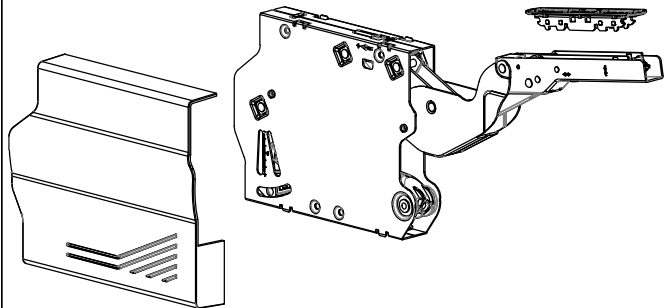
# Manual Top-stays Lift-Soft closing Installation Instruction

- Accessories list: Force-saving device (2 pieces)  
 Left&right cover (2 pieces)  
 Door fixer (2 pieces)  
 Wood screw (16 pieces)  
 Screw driver head (1 piece)(Optional)

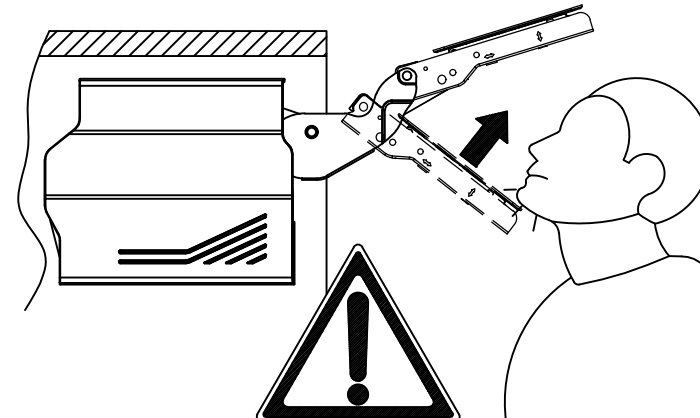
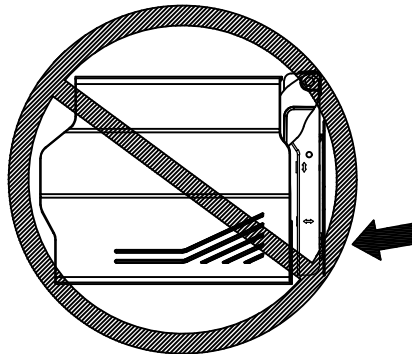
D: 5-12kg



Installation Drawing

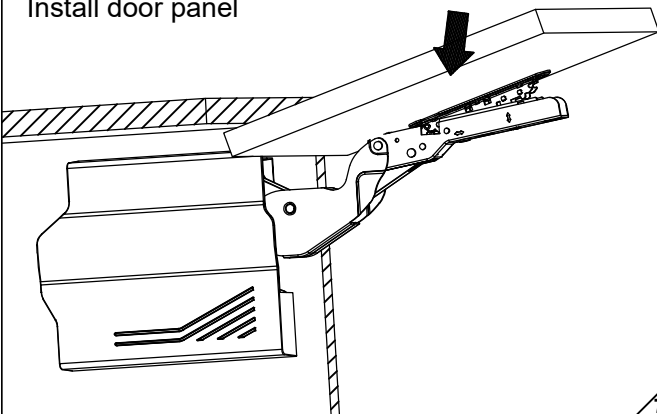


Warning: Lever arm can cause injury when it springs up! Don't press down when it opens.

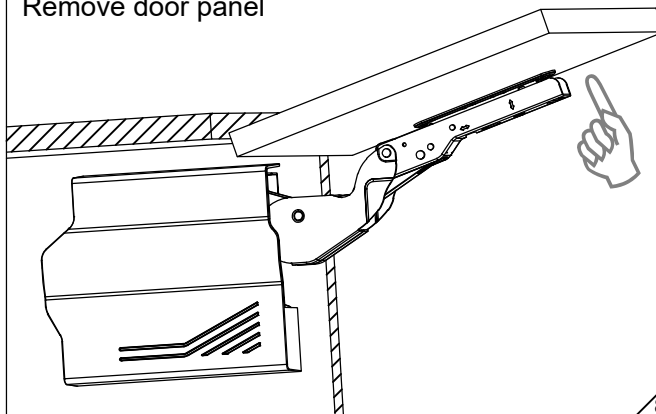


Door panel

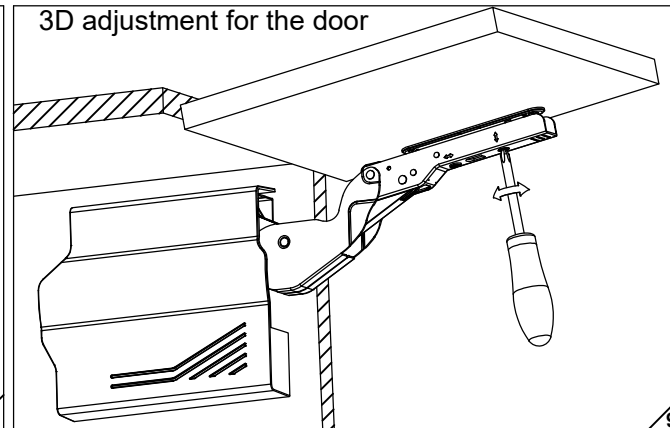
Install door panel



Remove door panel



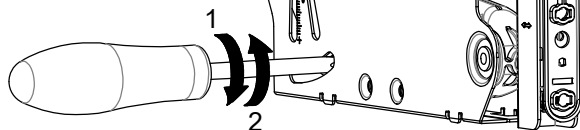
3D adjustment for the door



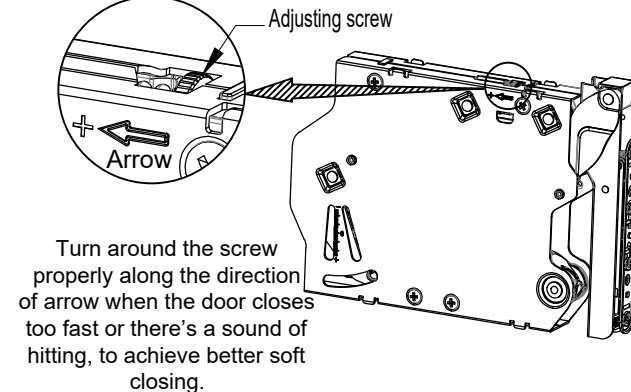
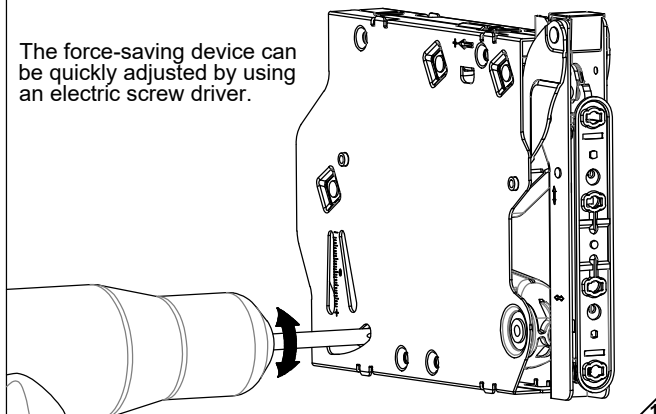
Force-saving device adjustment

1. Clockwise adjust if the door appears to drop downwards after installing.

2. Anticlockwise adjust if the door appears to up-spring after installing.



The force-saving device can be quickly adjusted by using an electric screw driver.



Turn around the screw properly along the direction of arrow when the door closes too fast or there's a sound of hitting, to achieve better soft closing.