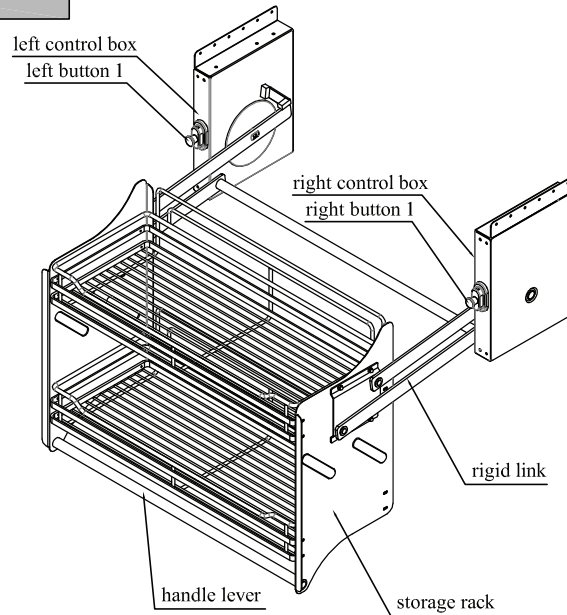
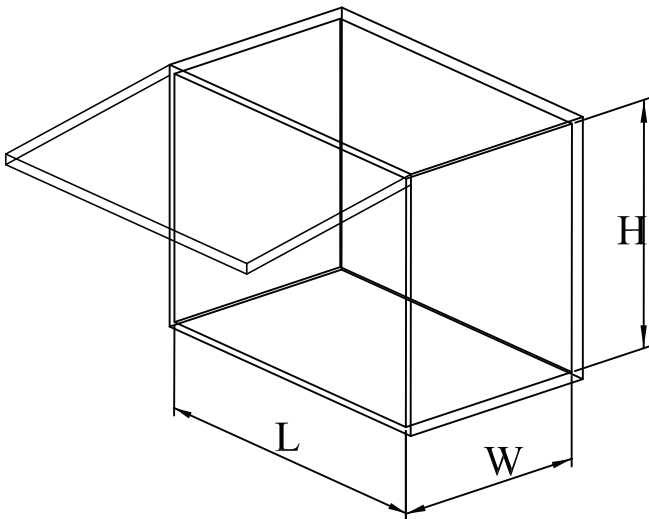


## Product's main structure

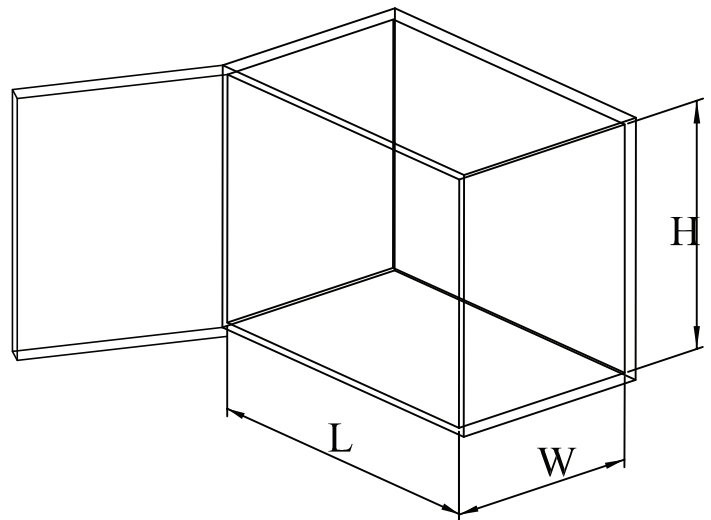


**Cabinet size: 16mm ≤ side plate thickness ≤ 18mm**

### 1. Up door structure



### 2. Flat door structure



**W: Min net depth 280mm**

**H: Min net height 560mm**

**L: net width = cabinet width – (32~36mm)**

**W: Min net depth 300mm**

**H: Min net height 560mm**

**Note: When the product is installed in a flat door, if the net depth of the cabinet is close to 300mm, it must be noted that the door hinge size and specifications.**

## Forcing device 's usage and precautions

Gears	Button's status	carriers loading weight
Zero gear	Pull out the left and right button	0~1 KGS
First gear	press left button 1 , pull out right button 2	1~5 KGS
Second gear	Pull out left button 1 , press right button 2	5~7 KGS
Third gear	Press the left and right button	7~12 KGS

**Note:** If you need to shift, be sure to be in the initial position of the storage rack (that is, when the cabinet is not pulled out of the state, as shown in Figure 2)

## Installation instruction

