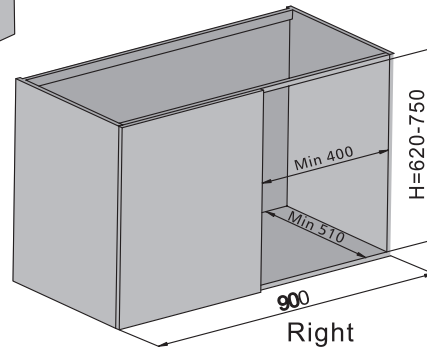
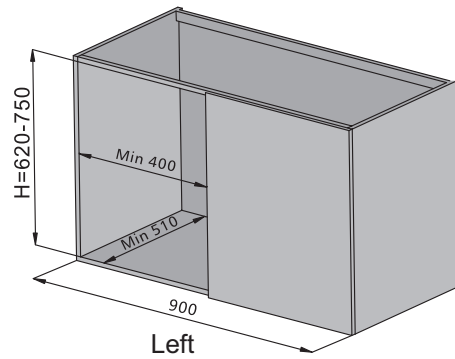




**SOFT-STOP MAGIC CORNER  
INSTRUCTION MANUAL**

## 1.0 CABINET MATCHING ILLUSTRATION

Firstly check and make sure your cabinet is matching the items ( See below )



### Spare Parts List

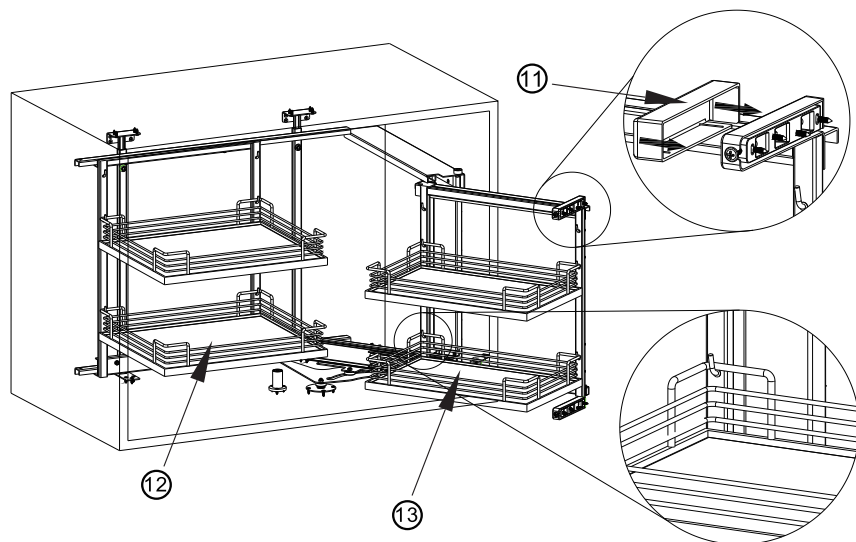
No.	ITEM	DSCP	QTY
①		ST3.5x16	50
②		Limiter	1
③		Door Plug-in Part	1Pair
④		Door Fixing Part	2
⑤		Template	1
⑥		Rear frame connecting part	2
⑦		Rear Frame	1
⑧		Side Fixing Bracket	1

No.	ITEM	DSCP	QTY
⑨		Swivel Frame	1
⑩		Swivel Connection	1
⑪		Decorative Cover	1Pair
⑫		Large Tray	2
⑬		Small Tray	2

The Intallation Manul Is For Bellow Cabinet Size:

NAME	CABINET	PRODUCT SIZE
Soft Stop Magic Corner(Left)	900 mm	857*502*(620-750)
Soft Stop Magic Corner(Right)	900 mm	857*502*(620-750)

### 13.0 TRAYS HANGING AND DECORATIVE COVER ILLUSTRATION

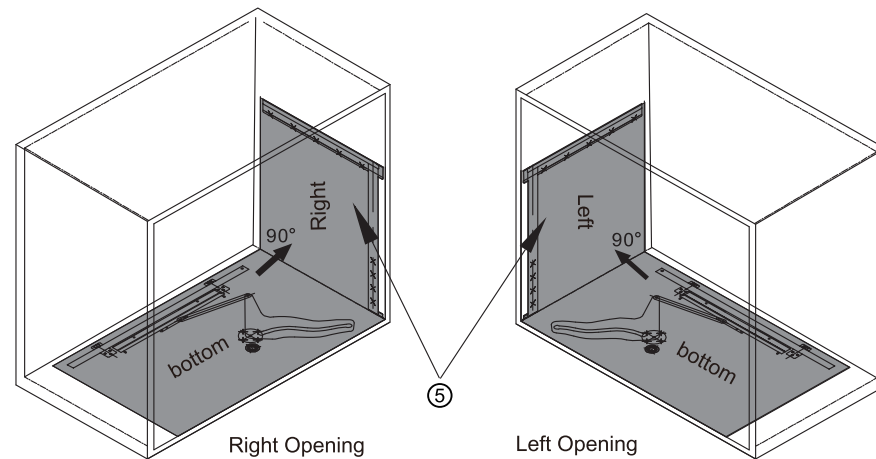


### 2.0 DRILLING TEMPLATE ILLUSTRATION

As illustrated, fold the template by the dot line and position in the cabinet

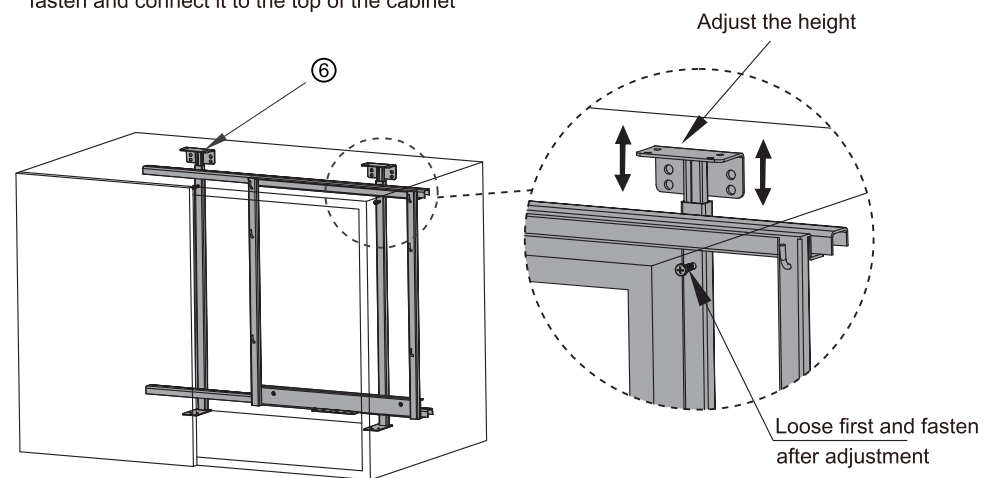
Drill holes with  $\phi 2.5$  accordingly

Remark: The template has to be aligned to the cabinet edge



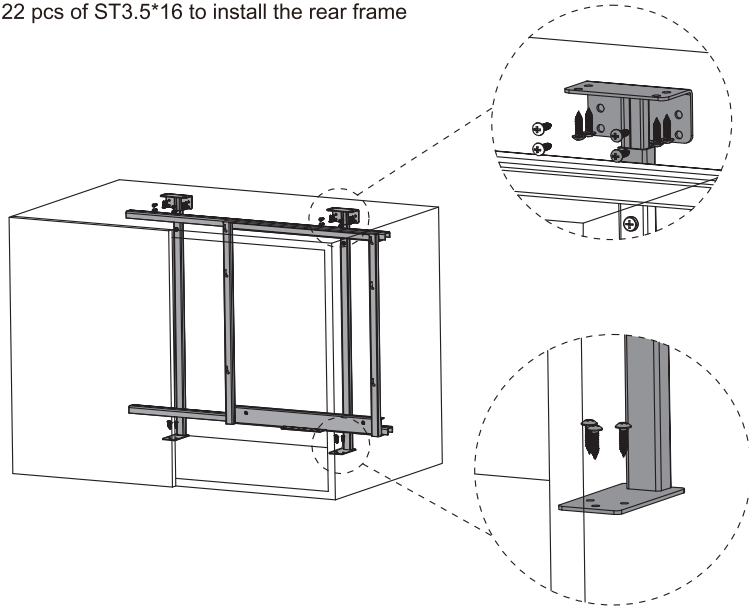
### 3.0 REAR FRAME ADJUSTING BRACKET ILLUSTRATION

Loose the 2 screws as illustrated below, adjust the bracket height, fasten and connect it to the top of the cabinet



#### 4.0 RARE FRAME FIXING ILLUSTRATION

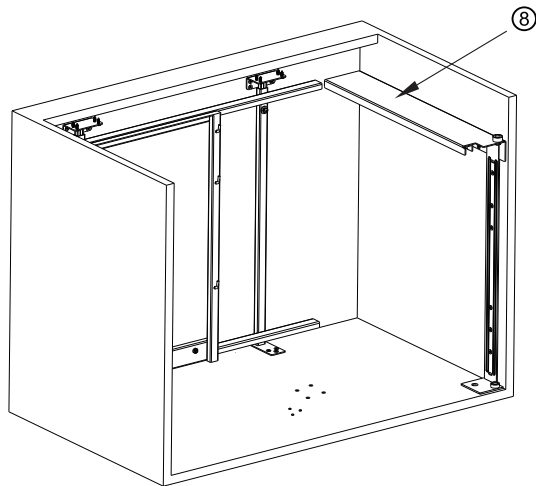
Use 22 pcs of ST3.5\*16 to install the rear frame



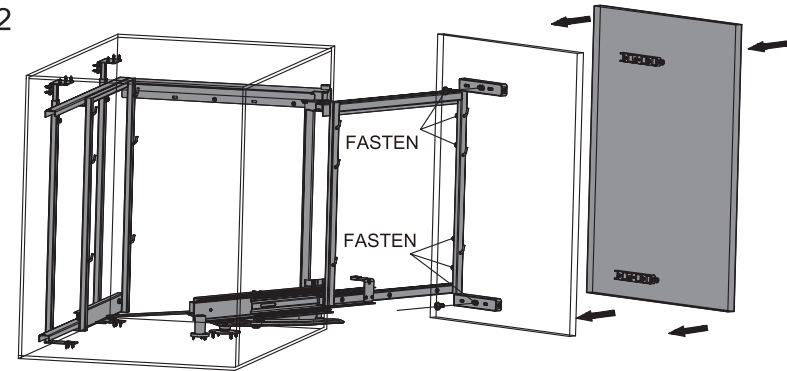
#### 5.0 SIDE SWIVEL FRAME FIXING ILLUSTRATION

Use 12 pcs of ST3.5\*16 to install the side swivel frame

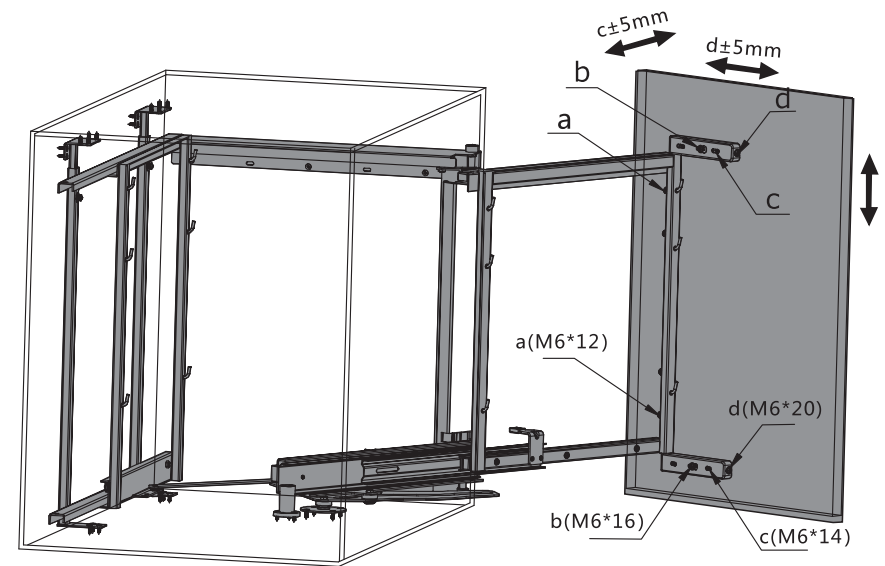
5.1



11.2



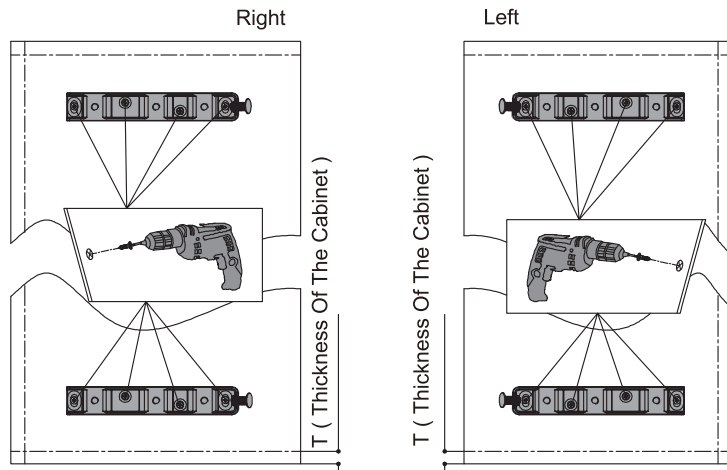
#### 12.0 DOOR ADJUSTMENT ILLUSTRATION



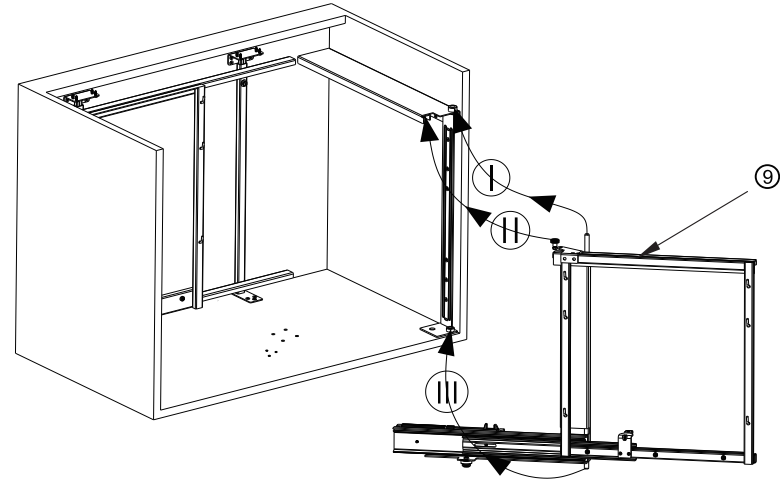
- a:Loose a to vertically adjust the door
- b:Fasten the door
- c:Fasten or loosen c to adjust the tilt of the door  $\pm 1^\circ$ , make sure to loose b before c
- d:Loose a to horizontally adjust the door,make sure to loose b before d

## 10.0 ►► INSTALLATION OF DOOR BRACKET

Use 8 pcs of ST3.5\*16 to install the door bracket

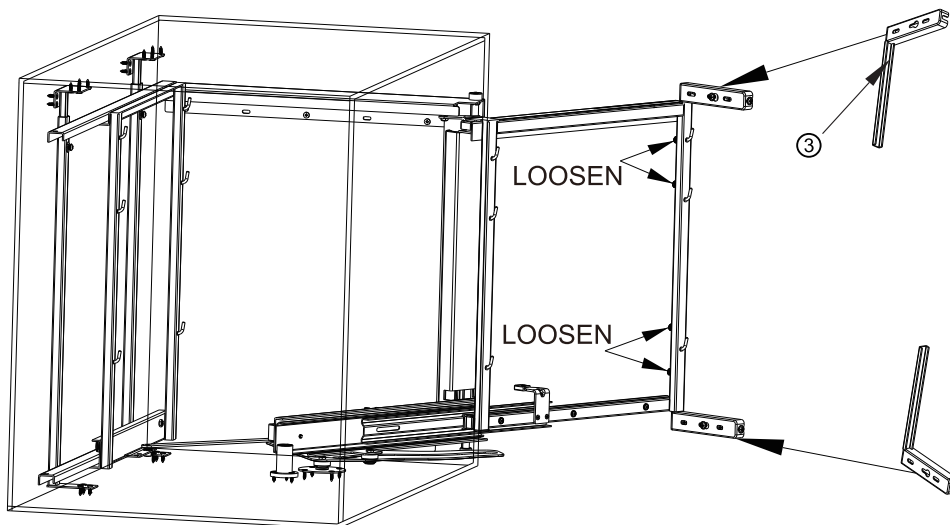


5.2

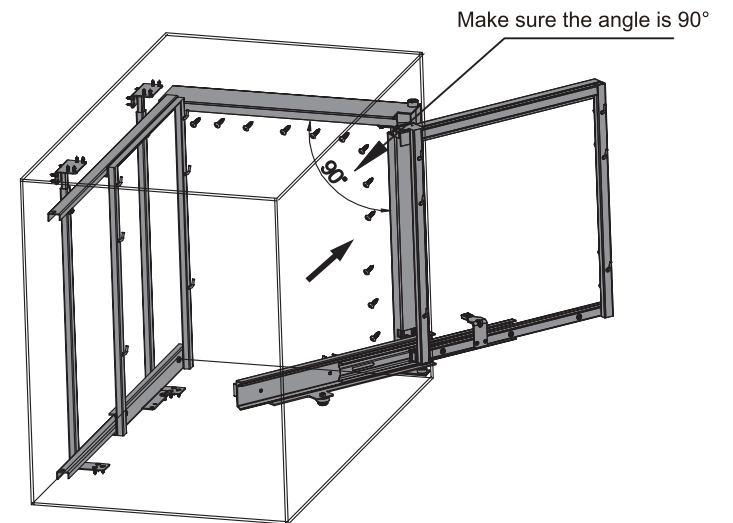


## 11.0 ►► INSTALLATION OF DOOR BRACKET

11.1

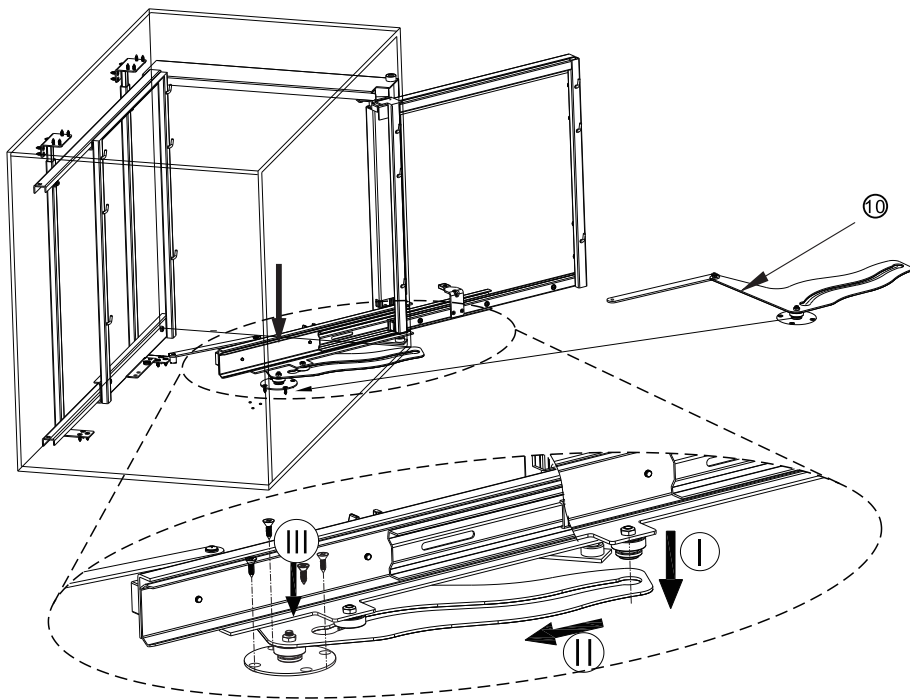


5.3



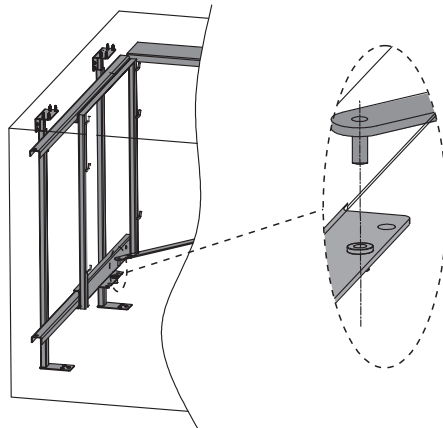
## 6.0 SIDE SWIVEL SLIDER ILLUSTRATION

Use 4 pcs of ST3.5\*16 to install the swivel connection on the bottom of the cabinet  
make sure the wheels go into the rail of swivel connection



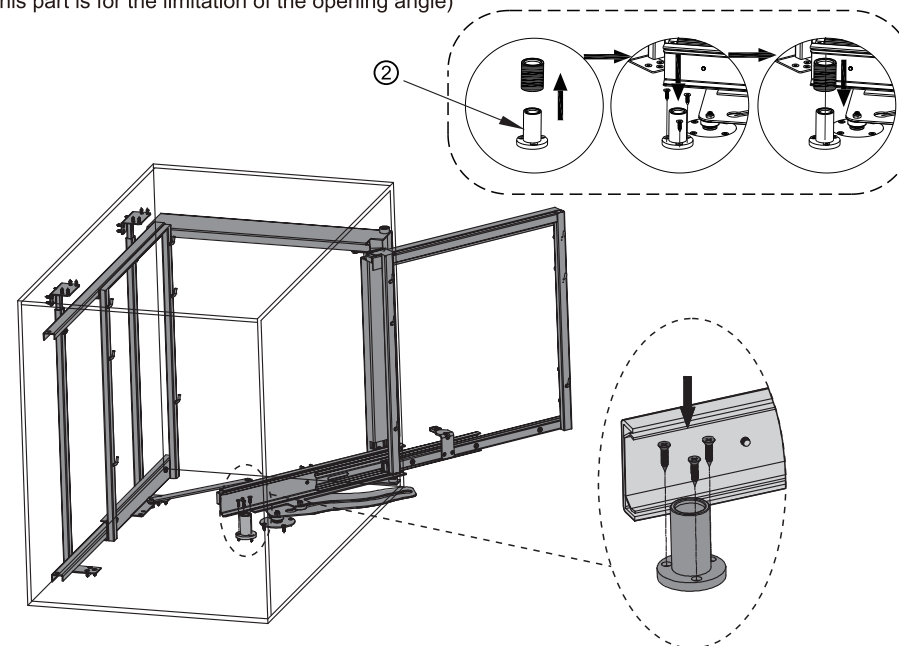
## 7.0 SWIVEL POLE ILLUSTRATION

Connect the side and rear frame



## 8.0 LIMITER ILLUSTRATION

Use 3 pcs of ST3.5\*16 to install the limiter  
( This part is for the limitation of the opening angle )



## 9.0 DRILL 8 HOLES FOR POSITIONING THE DOOR BRACKET

