

## CENTRAL DAMPER/DOUBLE DAMPER

### Accessory:

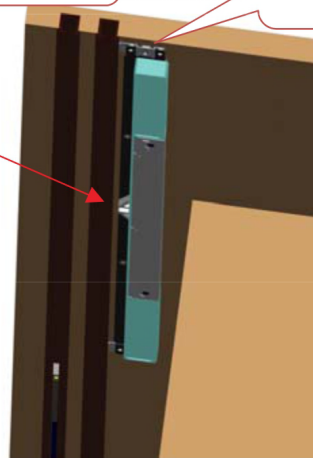
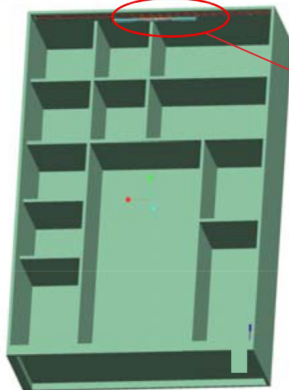
| Accessory          | Drawing | Qty. | Accessory                             | Drawing | Qty (single door) |
|--------------------|---------|------|---------------------------------------|---------|-------------------|
| Middle door damper |         | 1    | ST4*14 cross head self-drilling screw |         | 8                 |
| Stopper            |         | 1    |                                       |         |                   |

### 1、Fixed the middle door damper

Assembly the damper in the middle of the cabinet

damper position against the Aluminum rail, the fix the screw.

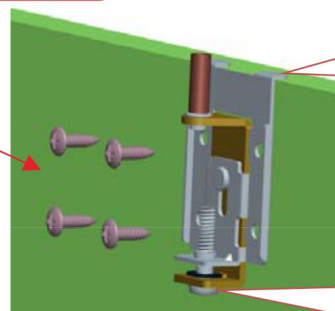
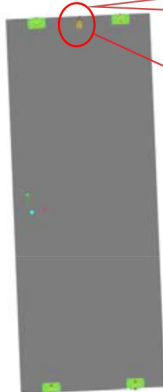
Precondition requirement: to be realize the function of soft closing, the middle door must be assembled in the cabinet as a inside door.



### 2、Fixed the stopper

Assembly the stopper in the middle of the door

Fixed the screw according to the position of the stopper's angle.



Adjust the stopper up or down through adjusting the adjust screw.

### 3.Assembly and adjust the door

Assembly the door, adjust the up and down gap, move the door to check the effect. If find the effect is not good, can repeat the second step, to

