

Hinge for corner folding door

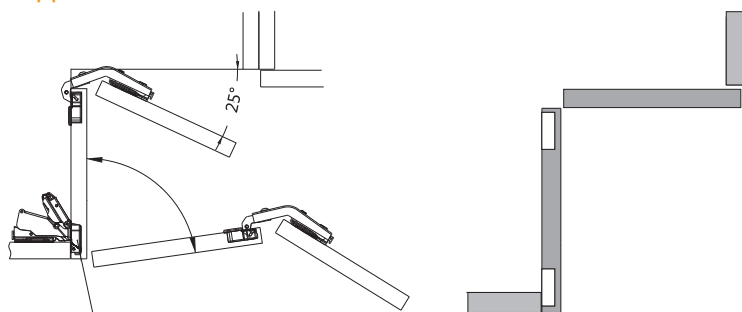
Imundex Code: 7173135



Technical Specifications

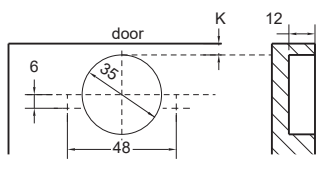
- For corner folding door thickness of 18-22mm (with H = 0, H: height of mounting plate)
- Cup diameter : 35mm
- Cup depth : 11.5mm
- Hinge arm material : steel, nickel plated
- Hinge cup material : steel , nickel plated
- Full overlay
- Product includes hinge and mounting plate

Application

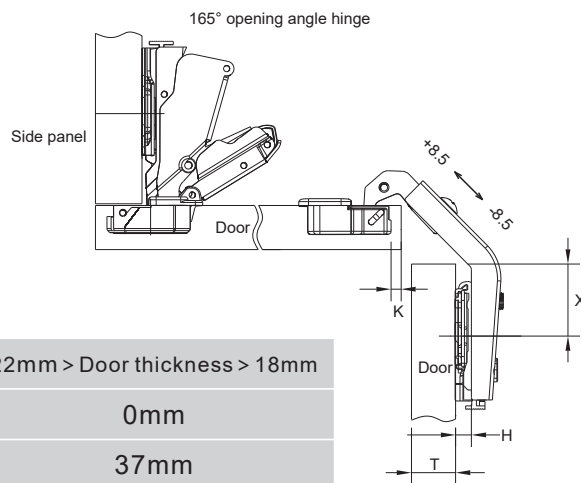


Use with 165 degree opening angle hinge

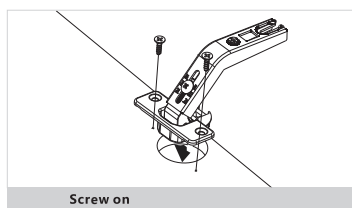
Drilling For Cup



Full Overlay

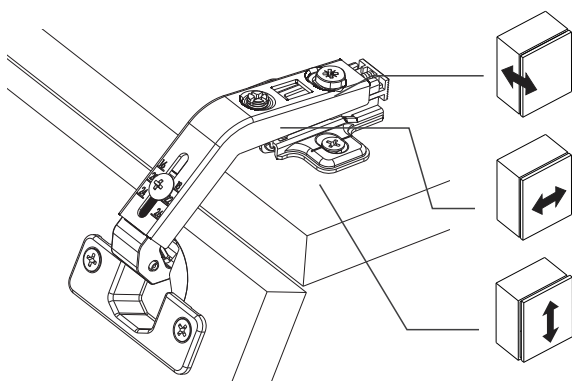


Cup Installation



D	22mm > Door thickness > 18mm
H	0mm
X	37mm

Hinge Adjustment



Depth adjustment

Rotate depth screw to adjust door gap.
Adjust range : 3.8mm (cam screw)
5mm (depth screw)

Overlay Adjustment

Rotate lateral screw to increase or decrease door overlay.
Adjust range : 5mm

Height adjustment

Adjust the mounting plate on panel to adjust the door's height.

Notice: The reference adjustment range is the product design range, the actual size of the cabinet and the drilling method may have a certain impact on the parameters.