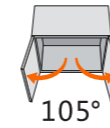


Clip-on, 105 degree soft close hinges

7173106 / 7172107 / 7171108



105°

Products overview



- Concealed hinge clip on with integrated silent system
- For door thickness of 14-22mm
- Cup diameter : 35mm
- Cup depth : 11.5mm
- Opening degree: 105°
- Hinge arm material : steel , black finish
- Hinge cup material : steel , black finish

Technical Specification



- Full overlay

7173101



- Half overlay

7172102

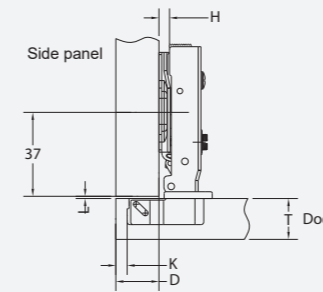


- Inset

7171103

Overlay table

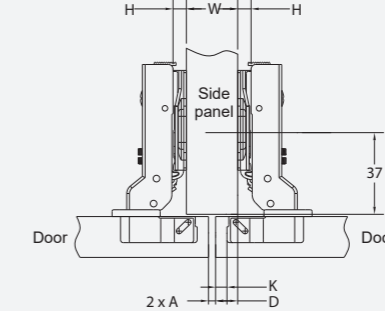
Full overlay



$H=14+K-D$ D: maximum value

D	K	3	4	5	6	7
0	H	17	18	19	20	21
2	H	15	16	17	18	19
4	H	13	14	15	16	17

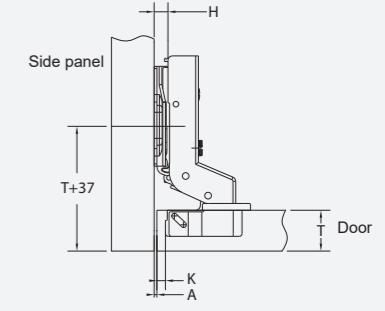
Half overlay



$H=4+K-D$ D: maximum value

D	K	3	4	5	6	7
0	H	7	8	9	10	11
2	H	5	6	7	8	9
4	H	3	4	5	6	7

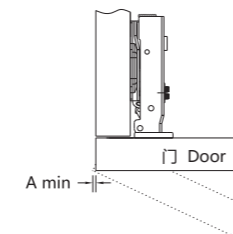
Inset



$H=-4+K+A$

A	K	3	4	5	6	7
0	H	1	0	-1	-2	-3
2	H	3	2	0	0	-1
4	H	5	4	3	2	1

Minimum reveal table



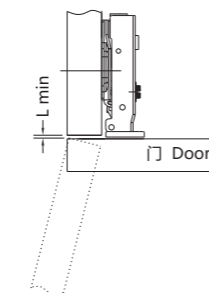
A	K	T	14	15	16	17	18	19	20	21	22
3	K	T	0.3	0.5	0.7	0.9	1.2	1.5	1.8	2.2	2.6
4	K	T	0.3	0.5	0.7	0.9	1.1	1.4	1.8	2.1	2.5
5	K	T	0.2	0.4	0.6	0.9	1.1	1.4	1.7	2.0	2.4
6	K	T	0.2	0.4	0.6	0.8	1.1	1.3	1.6	2.0	2.4
7	K	T	0.2	0.4	0.5	0.8	1.0	1.3	1.6	1.9	2.3

K= (Boring distance)

T= (door thickness)

A= (minimum gap (A) for door with a door edge radius)

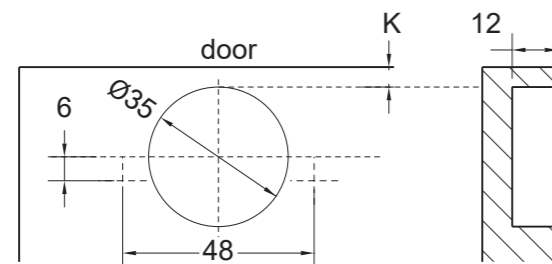
L= (gap between door and panel)



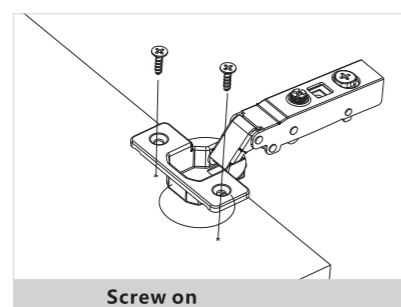
L	K	T	14	15	16	17	18	19	20	21	22
3	L	T	1.0	1.0	1.0	1.0	1.0	1.0	1.0	1.0	1.0
4	L	T	1.0	1.0	1.0	1.0	1.0	1.0	1.0	1.0	1.2
5	L	T	1.0	1.0	1.0	1.0	1.0	1.3	1.5	1.8	2.0
6	L	T	1.0	1.3	1.5	1.8	2.0	2.3	2.5	2.8	3.0
7	L	T	2.0	2.3	2.5	2.7	3.0	3.2	3.5	3.7	3.9

Note: above parameter based on the door edge is right-angle side, if the door is round corner edge, the parameter value will be reduce according to the edge size.

Drilling for Cup



Cup Installation

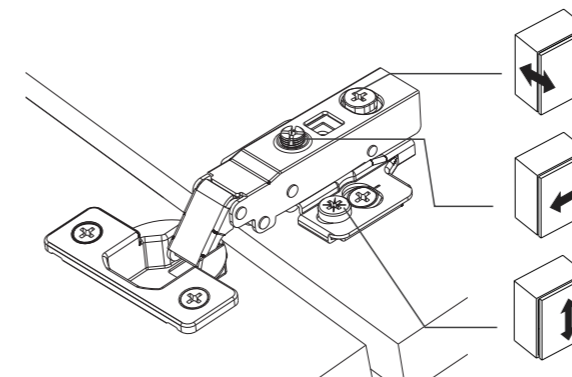


Screw on

Wood screws

5

Hinge adjustment



Depth adjustment

Rotate depth screw to adjust door gap.
Adjust range : 3.8mm (cam screw)
5mm (depth screw)

Overlay Adjustment

Rotate lateral screw to increase or decrease door overlay.
Adjust range : 6mm

Height adjustment

Adjust the mounting plate on panel to adjust the door's height.

Notice: The reference adjustment range is the product design range, the actual size of the cabinet and the drilling method may have a certain impact on the parameters.