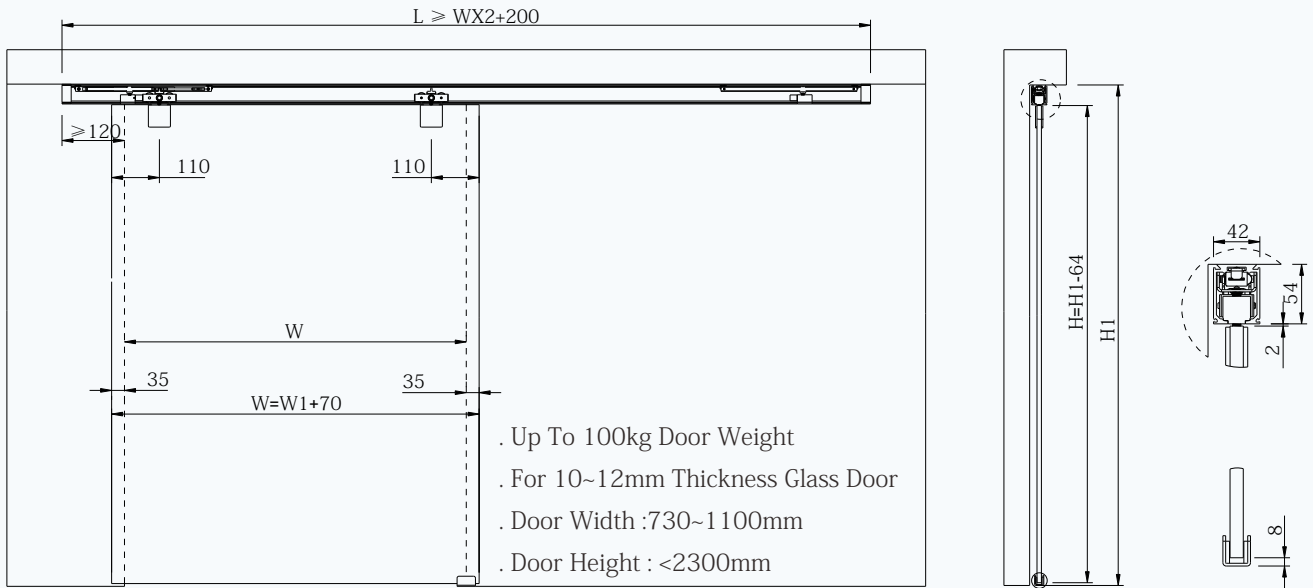
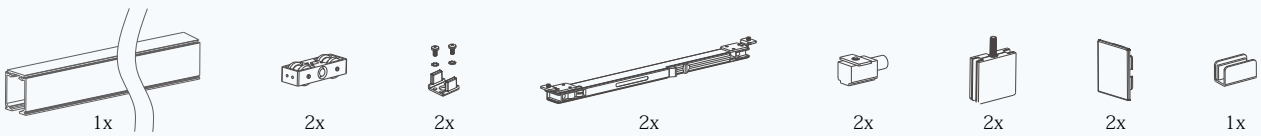


SDS-U01A_A1 For Glass Door install instruction

. with smart clamp . with soft closing function

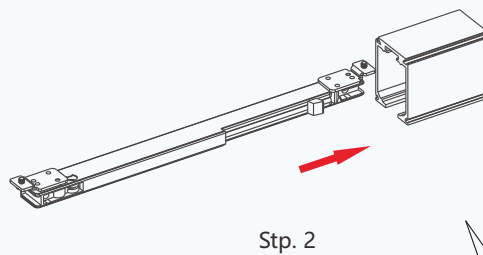
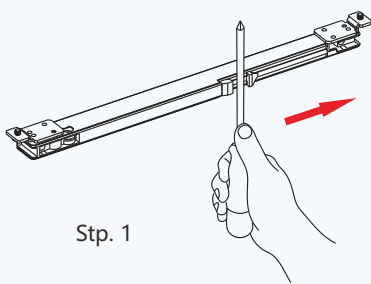


Accessories:

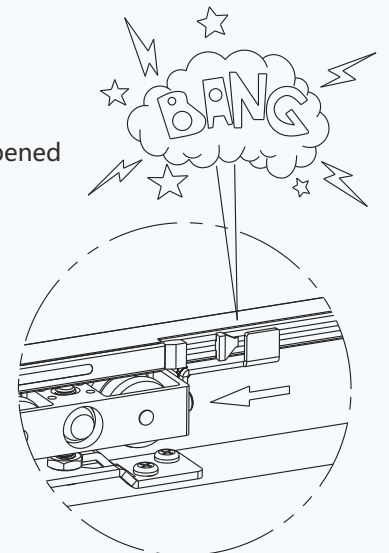
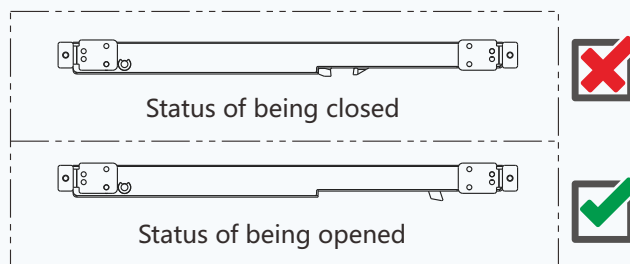


NOTICE FOR USE OF DAMPER

1. The damper must be in status of being opened before installation.



2. To avoid banging, please check and make sure the damper in status of being opened after installation of the whole sliding system.



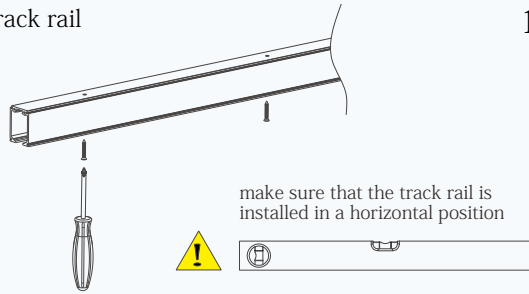
The damper in status of being closed is prohibited to be installed!!!

SDS-U01A_A1 For Glass Door install instruction

. with smart clamp . with soft closing function

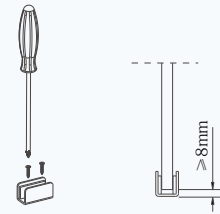
Installation of track rail

1



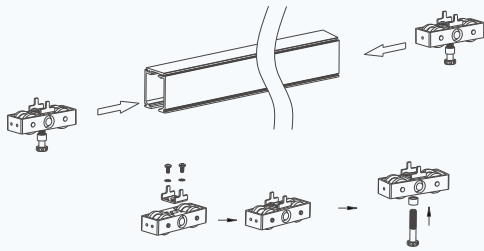
Installation of door guide

6



Installation of track roller

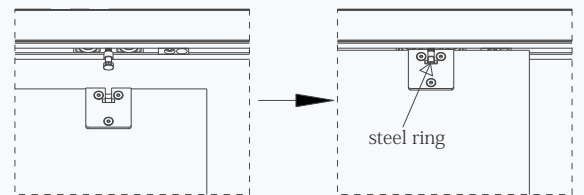
2



Installation on door

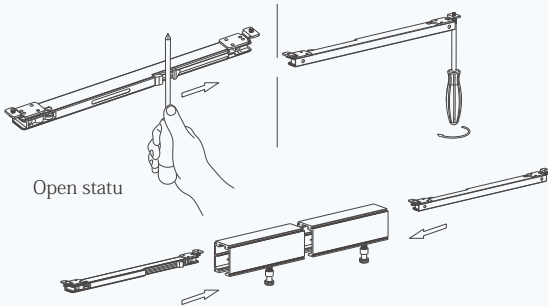
7

In order to avoid the dropping of door, be sure to confirm that the steel ring is placed into the glass clamp after installation.



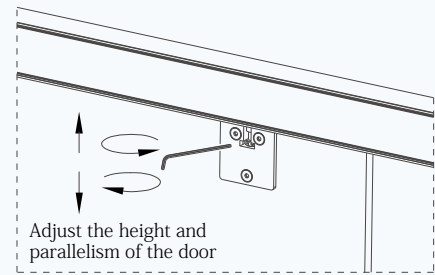
Installation of soft close

3



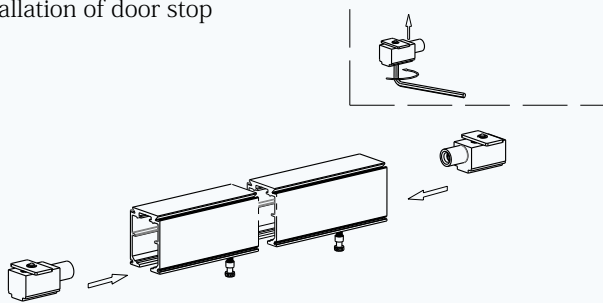
Adjustment and fastening of door

8



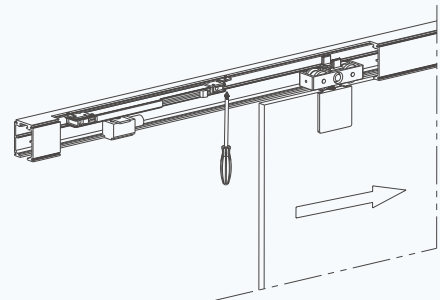
Installation of door stop

4



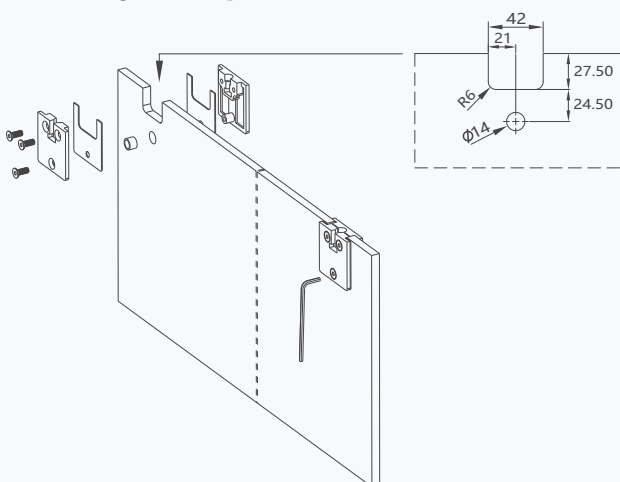
Adjustment and fixation of soft close

9



Installation of glass clamp

5



Adjustment and fixation of door stop

10

