

► SUS304 soft close hinge

TECHNICAL SPECIFICATION

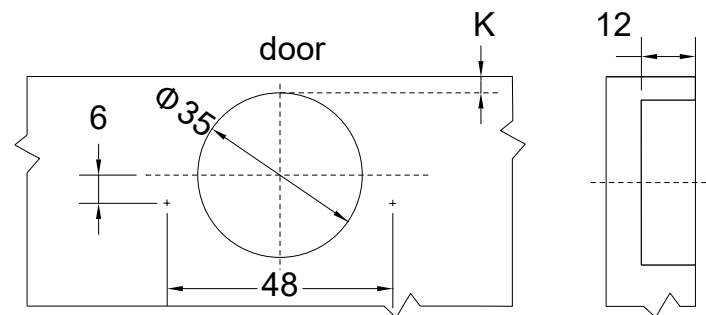
- SUS304 soft close hinge with larger overlay and depth adjustment range
- 105° opening angle for door thickness of 14-22mm
- Integrated silent system
- Easy clip on and tool-free door to cabinet assembly and removal
- Overlay adjustment 8mm, Depth adjustment 9mm



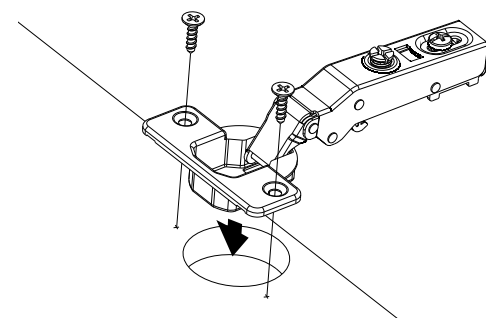
ARM INSTALLATION/ADJUSTMENT

Full Overlay - Code: 7113101  Half Overlay - Code: 7112102  Inset - Code: 7111103 

DRILLING FOR CUP



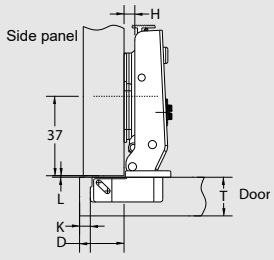
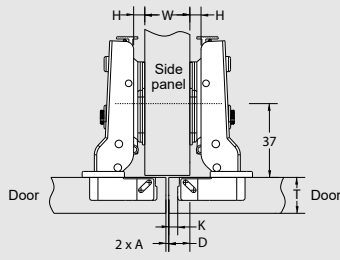
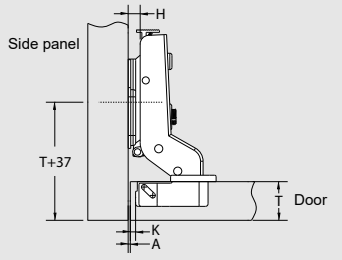
CUP INSTALLATION



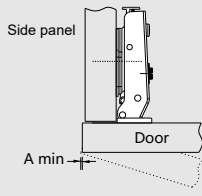
Wood screws

► SUS304 soft close hinge

OVERLAY TABLE

Full Overlay	Half Overlay	Inset																																																															
 $H=16+K-D$ D: maximum value <table border="1"> <tr> <th>D</th> <th>K</th> <th>3</th> <th>4</th> <th>5</th> <th>6</th> <th>7</th> </tr> <tr> <td>0</td> <td>19</td> <td>20</td> <td>21</td> <td>22</td> <td>23</td> <td></td> </tr> <tr> <td>2</td> <td>17</td> <td>18</td> <td>19</td> <td>20</td> <td>21</td> <td></td> </tr> </table>	D	K	3	4	5	6	7	0	19	20	21	22	23		2	17	18	19	20	21		 $H=6+K-D$ D: maximum value <table border="1"> <tr> <th>D</th> <th>K</th> <th>3</th> <th>4</th> <th>5</th> <th>6</th> <th>7</th> </tr> <tr> <td>0</td> <td>9</td> <td>10</td> <td>11</td> <td>12</td> <td>13</td> <td></td> </tr> <tr> <td>2</td> <td>7</td> <td>8</td> <td>9</td> <td>10</td> <td>11</td> <td></td> </tr> </table>	D	K	3	4	5	6	7	0	9	10	11	12	13		2	7	8	9	10	11		 $H=-4+K+A$ <table border="1"> <tr> <th>A</th> <th>K</th> <th>3</th> <th>4</th> <th>5</th> <th>6</th> <th>7</th> </tr> <tr> <td>0</td> <td>1</td> <td>0</td> <td>-1</td> <td>-2</td> <td>-3</td> <td></td> </tr> <tr> <td>2</td> <td>3</td> <td>2</td> <td>1</td> <td>0</td> <td>-1</td> <td></td> </tr> </table>	A	K	3	4	5	6	7	0	1	0	-1	-2	-3		2	3	2	1	0	-1	
D	K	3	4	5	6	7																																																											
0	19	20	21	22	23																																																												
2	17	18	19	20	21																																																												
D	K	3	4	5	6	7																																																											
0	9	10	11	12	13																																																												
2	7	8	9	10	11																																																												
A	K	3	4	5	6	7																																																											
0	1	0	-1	-2	-3																																																												
2	3	2	1	0	-1																																																												

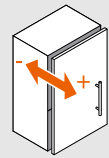
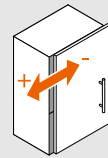
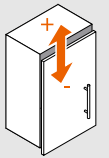
MINIMUM REVEAL TABLE

 A min	<b>A</b>	14	15	16	17	18	19	20	21	22	
	<b>T</b>	3	0.3	0.5	0.7	0.9	1.2	1.5	1.8	2.2	2.6
	<b>K</b>	4	0.3	0.5	0.7	0.9	1.1	1.4	1.8	2.1	2.5
	<b>L</b>	5	0.2	0.4	0.6	0.9	1.1	1.4	1.7	2.0	2.4
	<b>H</b>	6	0.2	0.4	0.6	0.8	1.1	1.3	1.6	2.0	2.4
	<b>D</b>	7	0.2	0.4	0.5	0.8	1.0	1.3	1.6	1.9	2.3
	<b>L</b>	3	1.0	1.0	1.0	1.0	1.0	1.0	1.0	1.0	1.0
<b>K</b>	4	1.0	1.0	1.0	1.0	1.0	1.0	1.0	1.0	1.2	
<b>H</b>	5	1.0	1.0	1.0	1.0	1.0	1.3	1.5	1.8	2.0	
<b>D</b>	6	1.0	1.3	1.5	1.8	2.0	2.3	2.5	2.8	3.0	
<b>L</b>	7	2.0	2.3	2.5	2.7	3.0	3.2	3.5	3.7	3.9	

**K** Boring distance  
**T** Door thickness  
**A** Minimum gap (A) for door with a door edge radius  
**L** Gap between door and panel

Note: above parameter based on the door edge is right-angle side, if the door is round corner edge, the parameter value will be reduce according to the edge size.

HINGE ADJUSTMENT

<b>Depth Adjustment</b> 	<b>Overlay Adjustment</b> 	<b>Height Adjustment</b> 
Rotate depth screw to adjust door gap. Adjust range : 9mm ( depth screw )	Rotate lateral screw to increase or decrease door overlay. Adjust range : 8mm	Adjust the mounting plate on panel to adjust the door's height.
Notice: The reference adjustment range is the product design range, the actual size of the cabinet and the drilling method may have a certain impact on the parameters.		