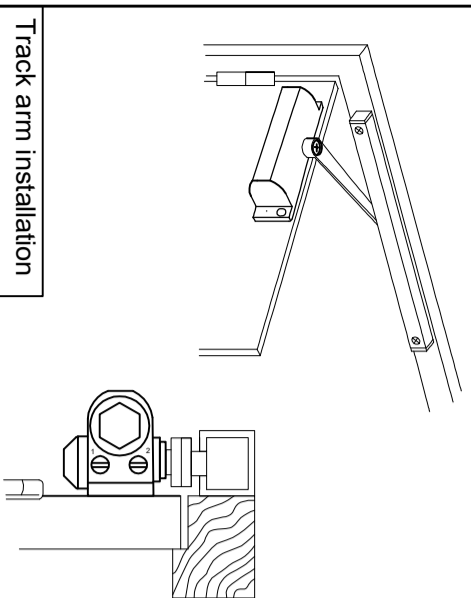


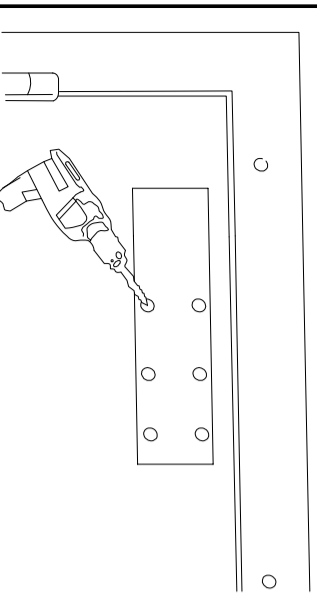
# IMUNDEX overhead track mounting door closer installation instructions

707.35.800

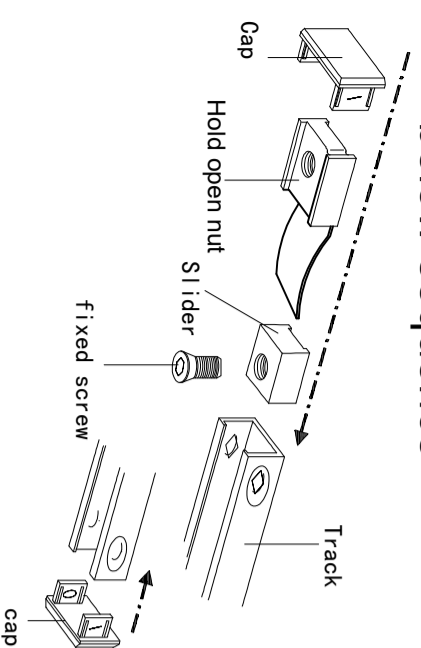


Track arm installation

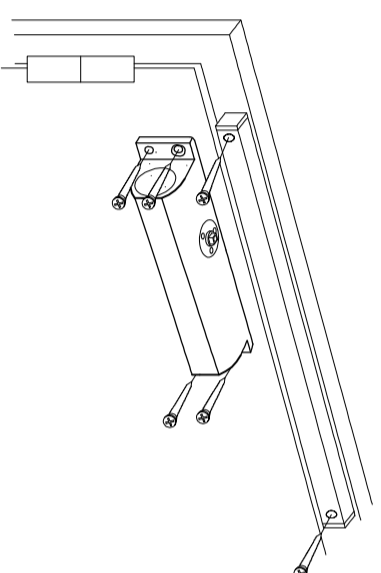
**1** Drill the installation holes according to the drawing as the instructions shown



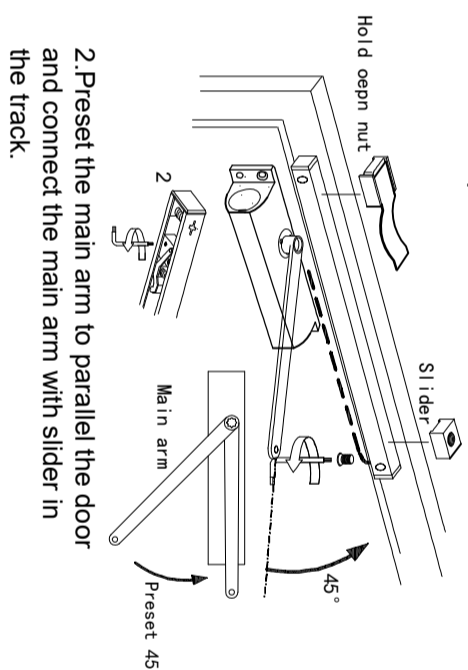
**2** Put the extra parts into the track following the below sequence



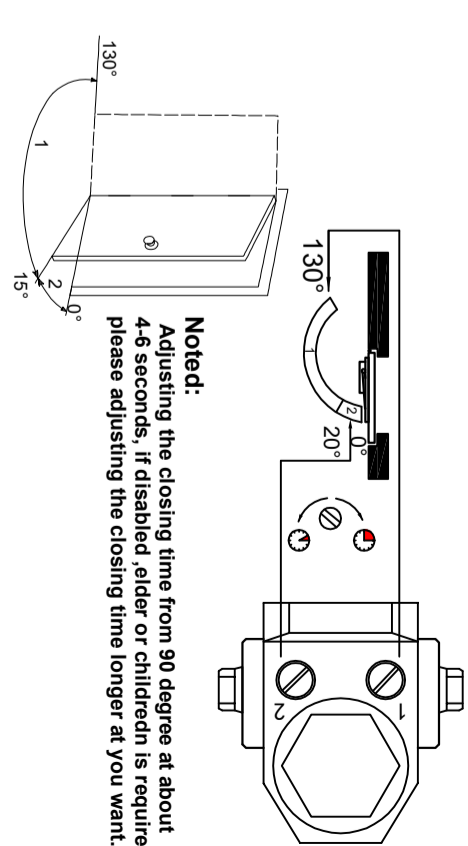
**3** Install the closer body and track arm on door and door frame.



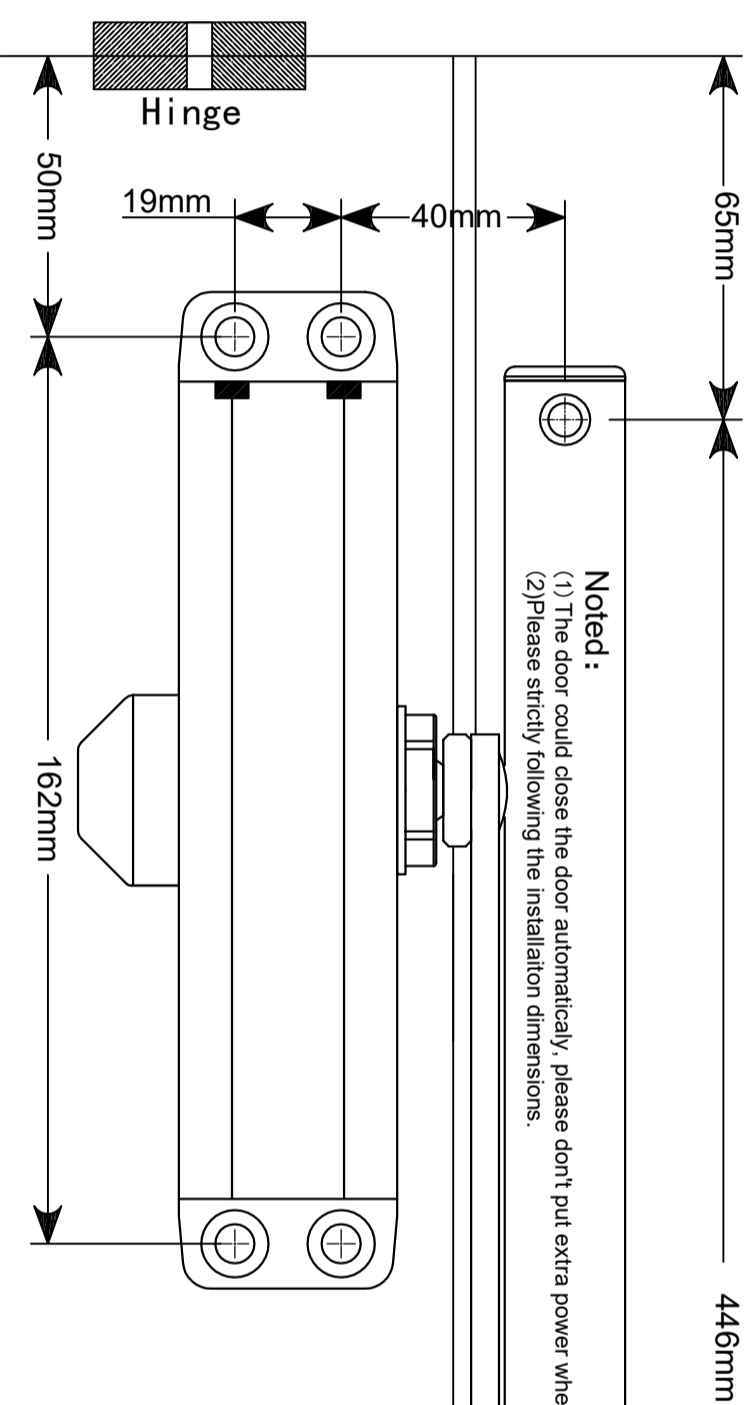
**4** 1. Put the main arm on the top pinon shaft, and secure the arm with provided screw  
2. Preset the main arm to parallel the door and connect the main arm with slider in



**5** Please adjusting the closing speed with valve "1" and latching speed with valve "2".



**Noted:**  
Adjusting the closing time from 90 degree at about 4-6 seconds, if disabled, elder or children is required, please adjusting the closing time longer at you want.



**Noted :**  
(1) The door could close the door automatically, please don't put extra power when the door is closing.  
(2) Please strictly following the installation dimensions.

