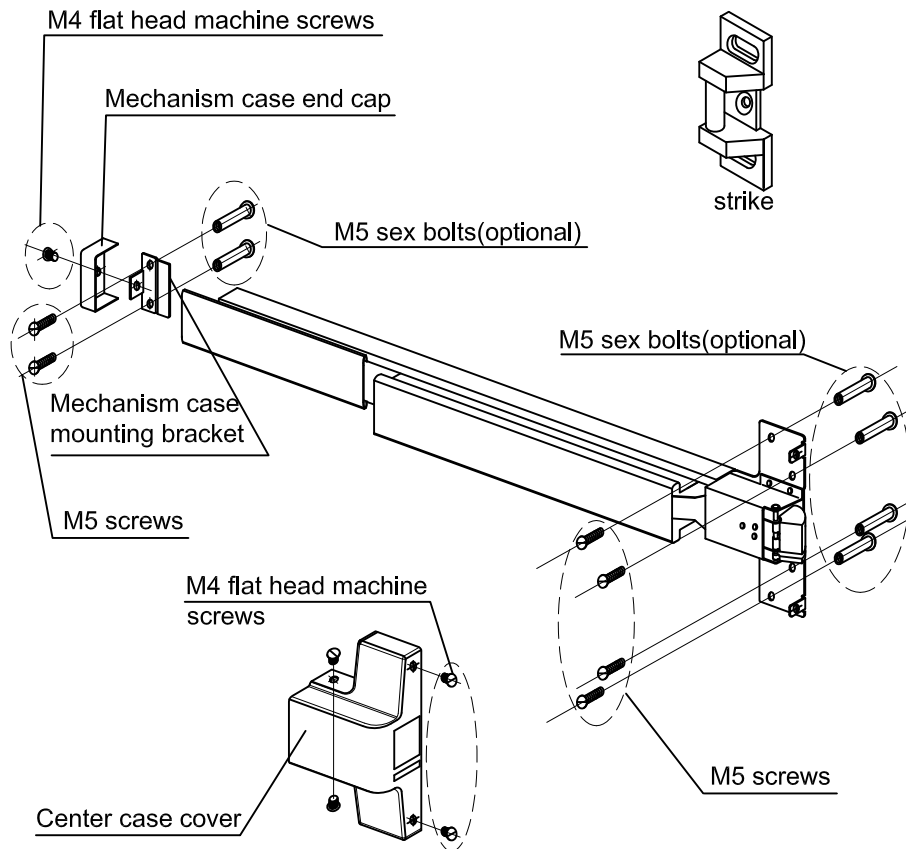


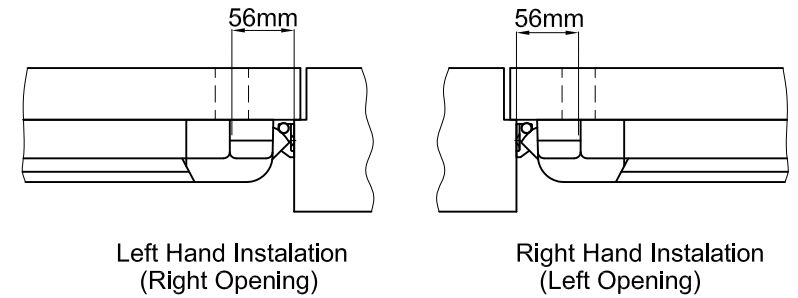
PANIC EXIT DEVICE

INSTRUCTION FOR PUSHBAR DEVICE

1. PARTS LIST



2. TYPE OF INSTALLATION



3. INSTALLATION

- 3.1. Mark centerline C location as shown in Figure 1-1.
- 3.2. Tape template 'A' and 'B' to door and frame aligned with center line C as shown in Figure 1-2. Mark and prepare mounting holes per template.

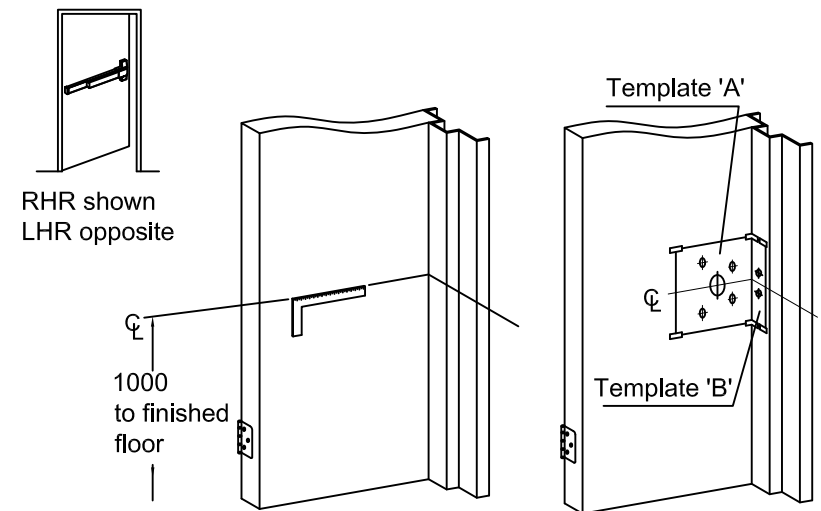
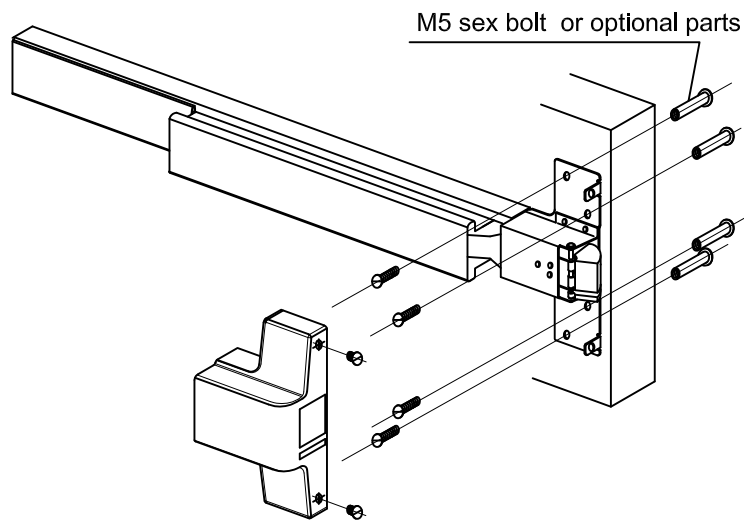


Figure 1-1

Figure 1-2.

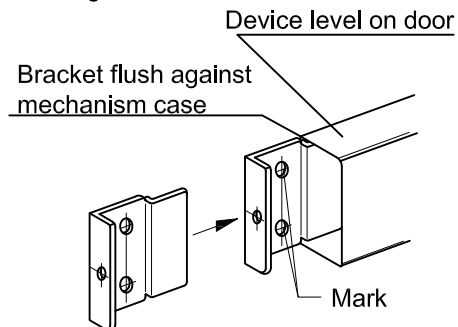
3.3. Install mechanisms

- i) Align screw holes mechanism with the holes on door, if the width of door is less than the length of mechanism, cut end portion of mechanism make the distance is 50mm from mullion, so needed to fit door size.
- ii) tighten screws.
- iii) Install center cover, tighten screws.

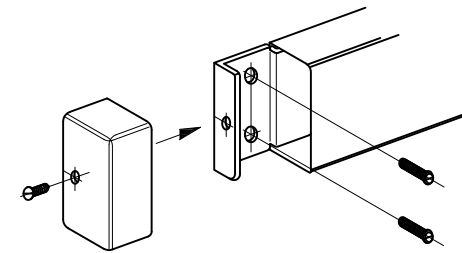


3.4. Install mechanism case mounting bracket and mechanism case end cap.

- i) Slide in mechanism case mounting bracket.
- ii) Mark mounting holes and prepare per chart.
- iii) Install mounting screws

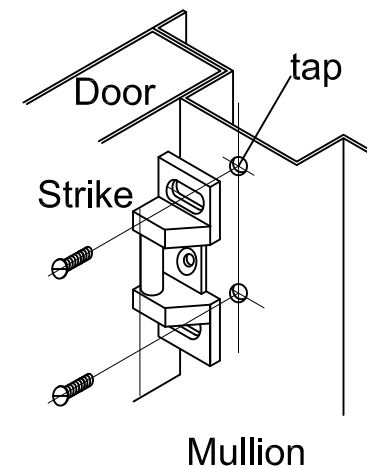


iii) Install mechanism case end cap



3.5. Installation strike

Align screw holes striker with the holes on mullion and tighten screws.

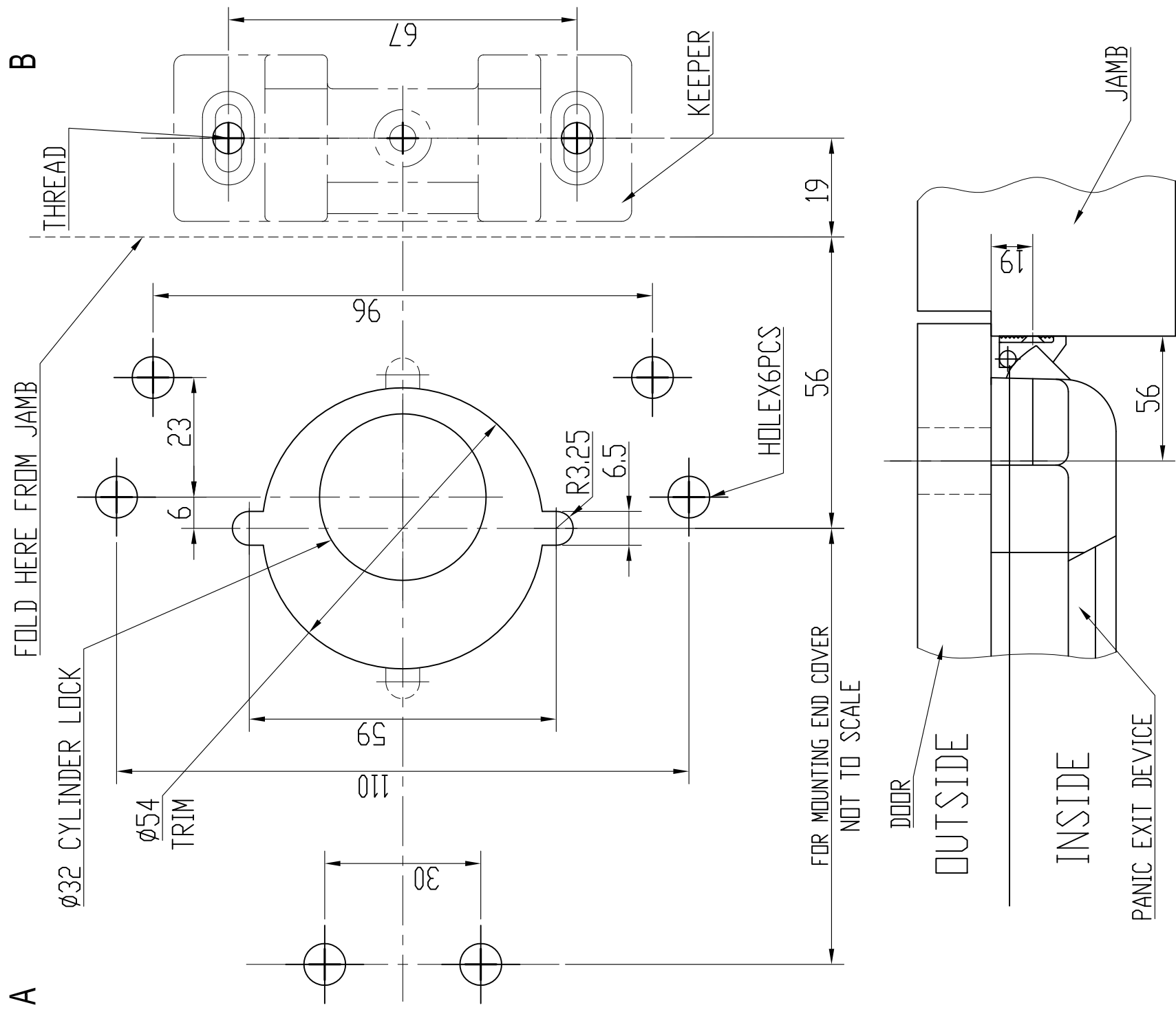


3.6. Test push bar

The latches should disengage from the strike freely when the push bar is depush.

TEMPLATE FOR EXIT DEVICE

INSIDE FACE OF THE DOOR



Please confirm if it is necessary to drill the holes based on the selected products and accessories.

(Note: no need to drill the holes if use wood/taper screws.)